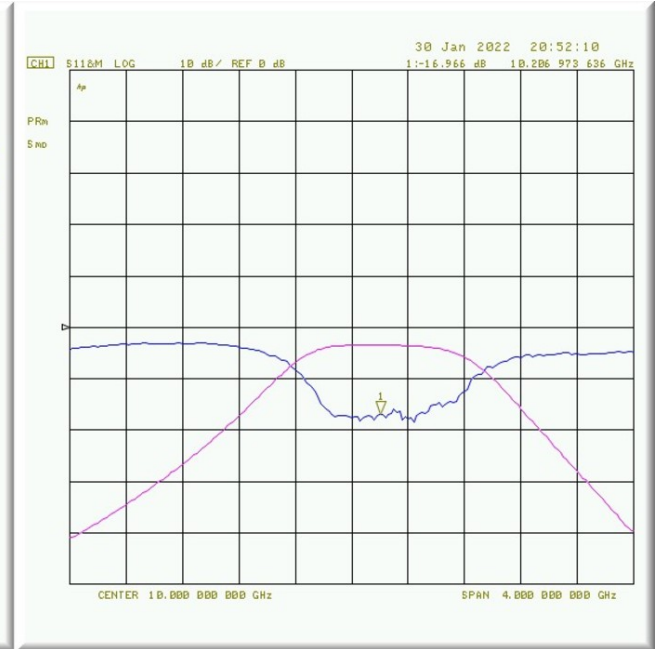
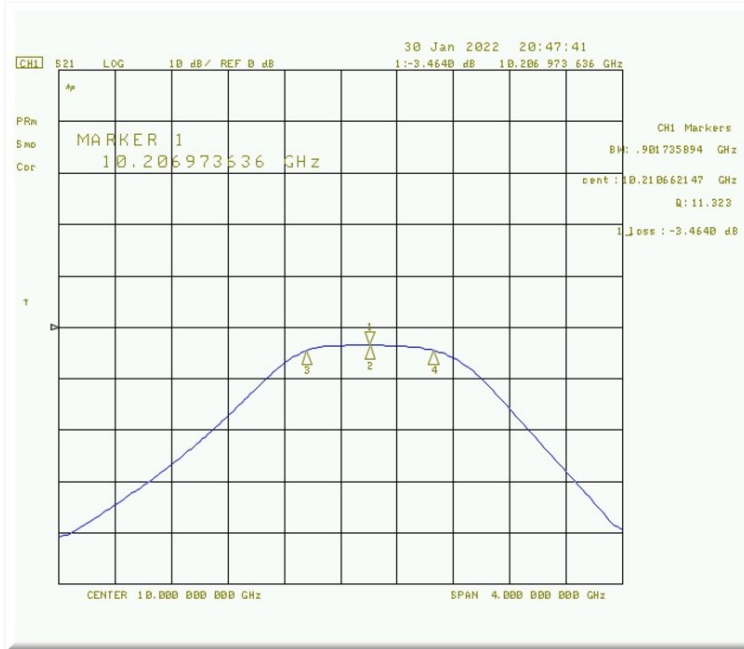


# 10 GHz Band Pass Filter

For range: 9,75 GHz..... 10,6 GHz  
 Loss: 3,46dB @ 10,207 GHz

BW -3dB: ~850 MHz  
 BW -1dB: ~650 MHz



Email: [9a6rzn@gmail.com](mailto:9a6rzn@gmail.com)

# 3LNC70

## 10 GHz Low noise down converter

**RF Input: 9,8 Ghz.....10,7 GHz**

**Conversion gain: ~29dB**

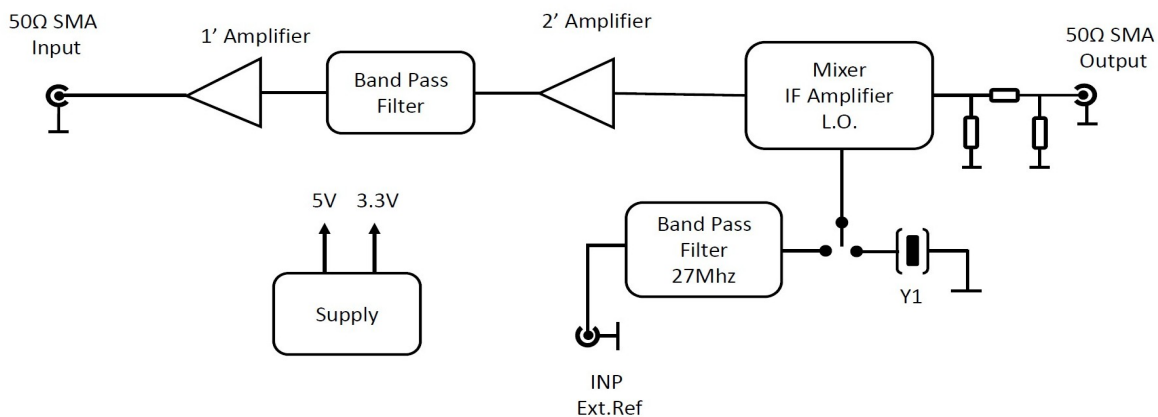
**IF Output: 300 Mhz.....2000 MHz**

**LO freq.: 10,0575GHz** default !!

**Ext. LO input: 25,400.....29,800MHz** for LO freq. 9,1722.....10,7611 GHz

**Vcc: 8....14 Volt    Icc: 150mA**

Test report: <https://www.oe7forum.at/viewtopic.php?f=7&t=284&start=210#p2632>



Price: 165,00 Euro

Email: [9a6rzn@gmail.com](mailto:9a6rzn@gmail.com)

or [calvin@hides.com.tw](mailto:calvin@hides.com.tw)